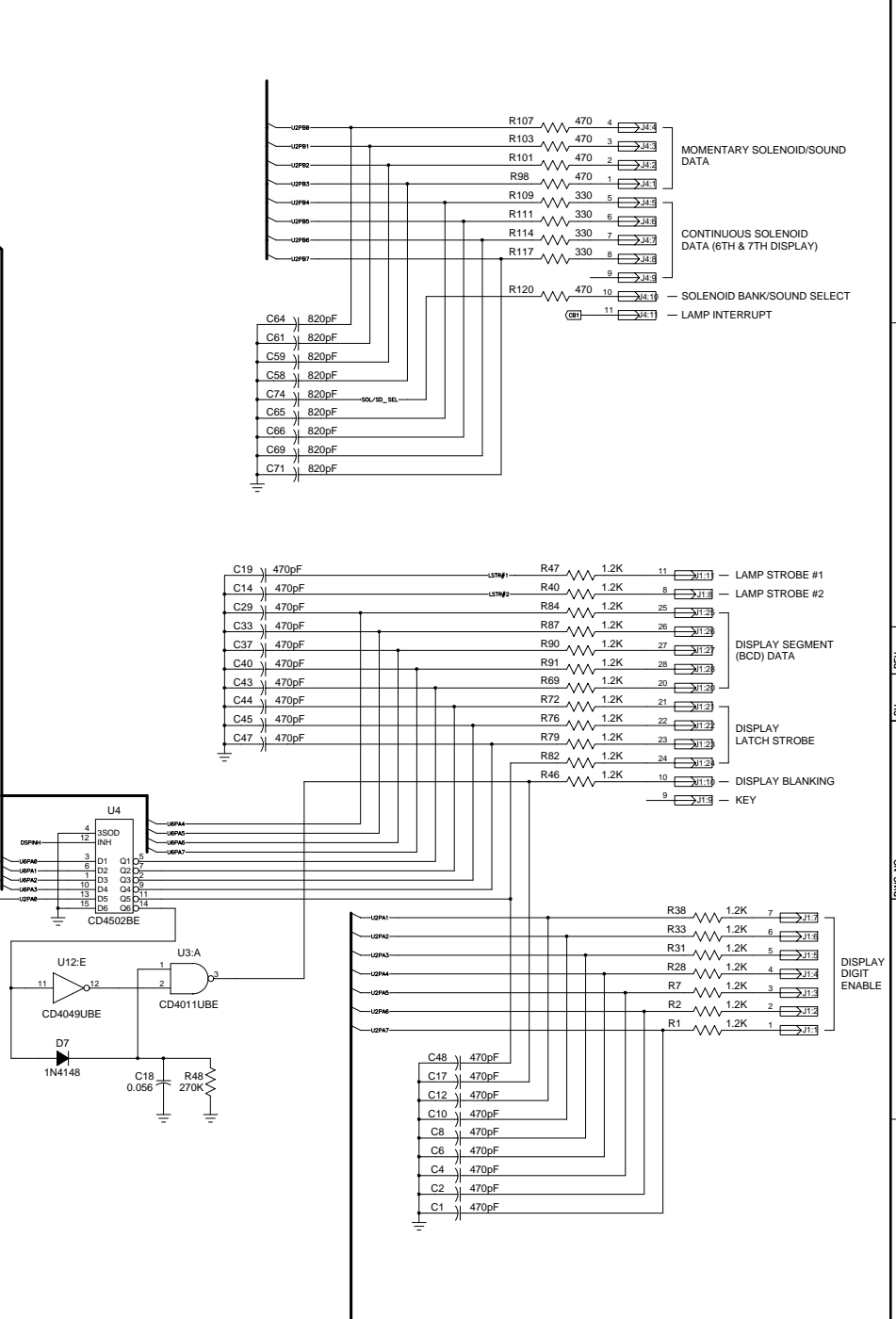
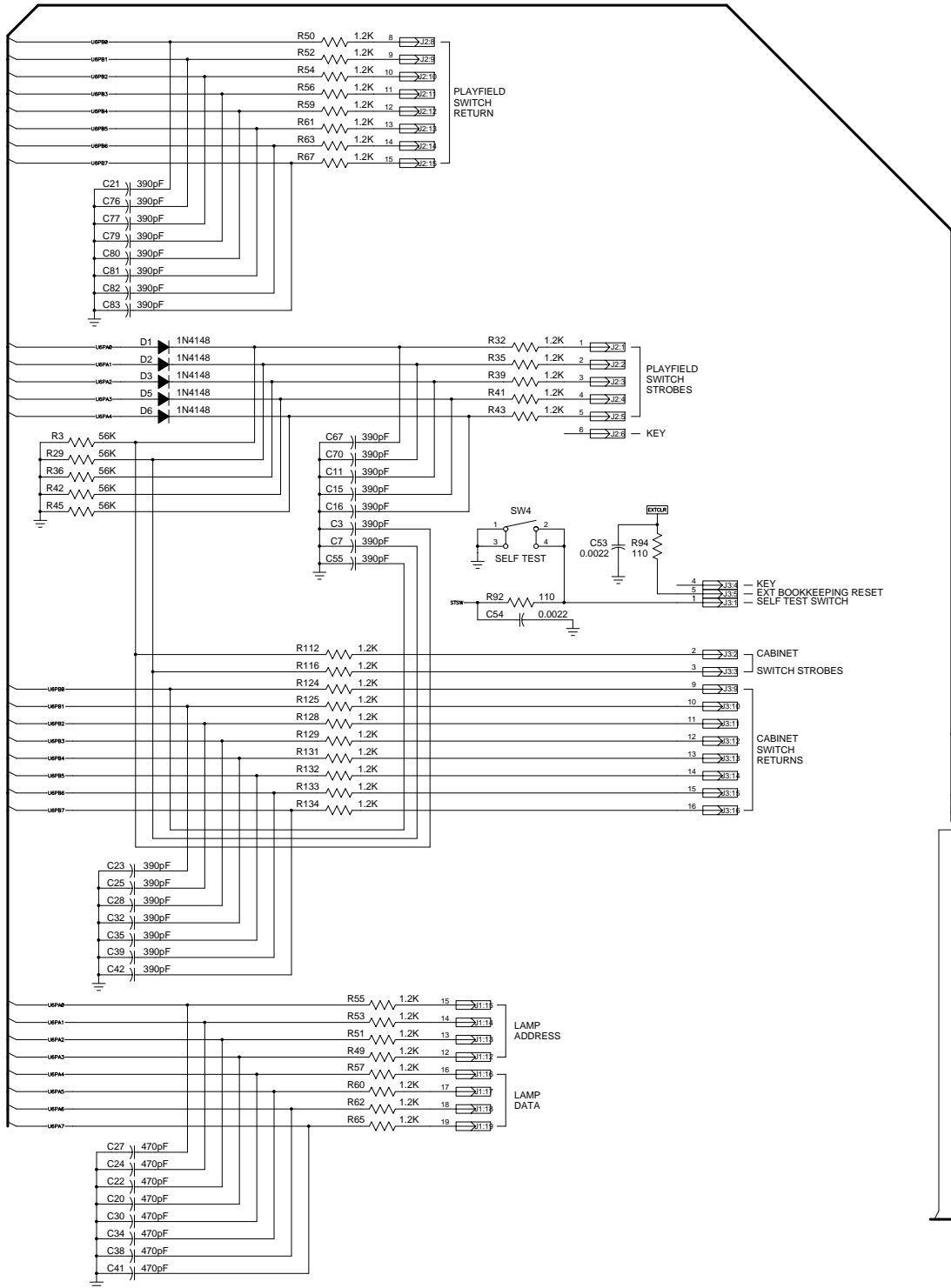


TITLE			
SIZE	CAD I.D. NO.	DRAWING NO.	REV.
C			
SCALE	SHOWN ON	SHEET OF	



TITLE			
SIZE	CAD I.D. NO.	DRAWING NO.	REV.
C			
SCALE	SHOWN ON	SHEET	OF

D

C

REV.

SH.

DWG. NO.

B

A